

JE 3-210 G20 NT42



Electric - Qmax 105 m³/h - 1750 l/min (462 USgpm) - Hmax 23 m (75 ft)

Code: 8381064131



Indicative picture of the product

Product Data

Suction port
Threaded - 3" ISO 228 (BSP)

Delivery port
Threaded - 3" ISO 228 (BSP)

Qmax
105 m³/h - 1750 l/min (462 USgpm)

Hmax
23 m (75 ft)

Solids handling
40 mm (1,5 ")

Motor power
7,5 kW - 10 HP

Motor type
IEC standard
Winding for inverters
Cast iron frame

Motor brand
WEG W22 Premium

Weight
144 kg

Close-coupled self-priming centrifugal pump with electric motor

Characteristics

The J series self-priming centrifugal pumps are used in applications where a rapid priming capacity is required from demanding suction heights combined with the ability to transfer and manage polluted fluids, dirty and abrasives with suspended large diameter solids. The system is based on an inspectable pump casing which also acts as a water tank allowing a first quick priming without auxiliary systems, simplifying management of the system and reducing the time for maintenance. Within the physically permitted suction height limits, J pumps are a more comfortable and reliable solution than submersible pumps and vertical submersed impeller pumps.

Benefits

- 1) Rapid self-priming**
Without foot valve up to a height of 7.5 m (24.5 ft)
- 2) High resistance**
To abrasive liquids which are turbid and sandy
- 3) Semi-open impeller**
High thickness casting impact resistant
- 4) Wear plate**
Easily replaceable cast iron wear plate, front to the impeller
- 5) Easy maintenance**
Removable front cover for direct access to the impeller

Applications

Industry:

clean, dirty, sandy, muddy, neutral, alkaline, acidic liquids; low viscous petroleum products, solvents even if dirty; milk of lime, caustic soda; washing, cooling, recirculation, smoke scrubbing.

Treatment:

pumping polluted corrosive wastewater containing sand, mud or solids in suspension; dosing neutralizing liquids; pumping out settled sludge.

Naval:

loading and unloading; bilge pumping; washing, fire-fighting, stripping, sanitary duty and circulation.

Agriculture:

surface irrigation; liquid manure oxygenation; transfer and spraying liquid manure or fertilizers; distribution of liquid animal feed; transfer of wine must; washing.

Varisco S.r.l. has certified its Quality, Environment and Safety Management System in accordance with the requirements of the international standard ISO 9001-14001-45001, recognized by the Lloyd Register.

JE 3-210 G20 NT42

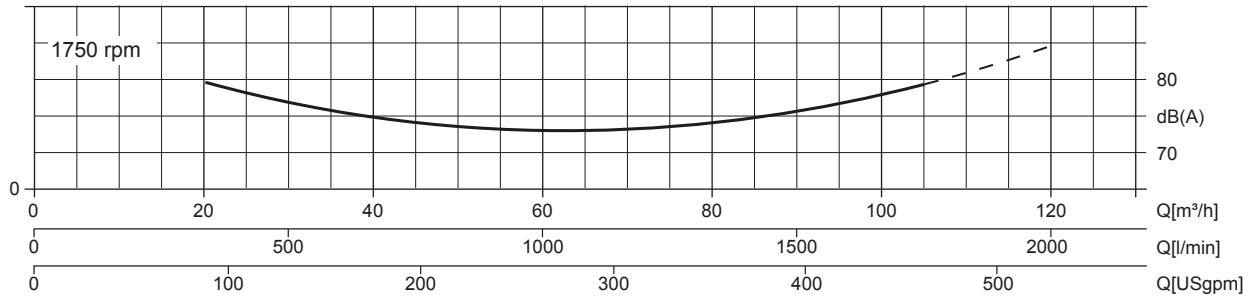
Performance Curves

Test according to **UNI EN ISO 9906 standard - level 2B**
 Test liquid: **clean water, density 1.000 kg/m³**
 Spherical solids handling: **D.40 mm (1,5 ")**

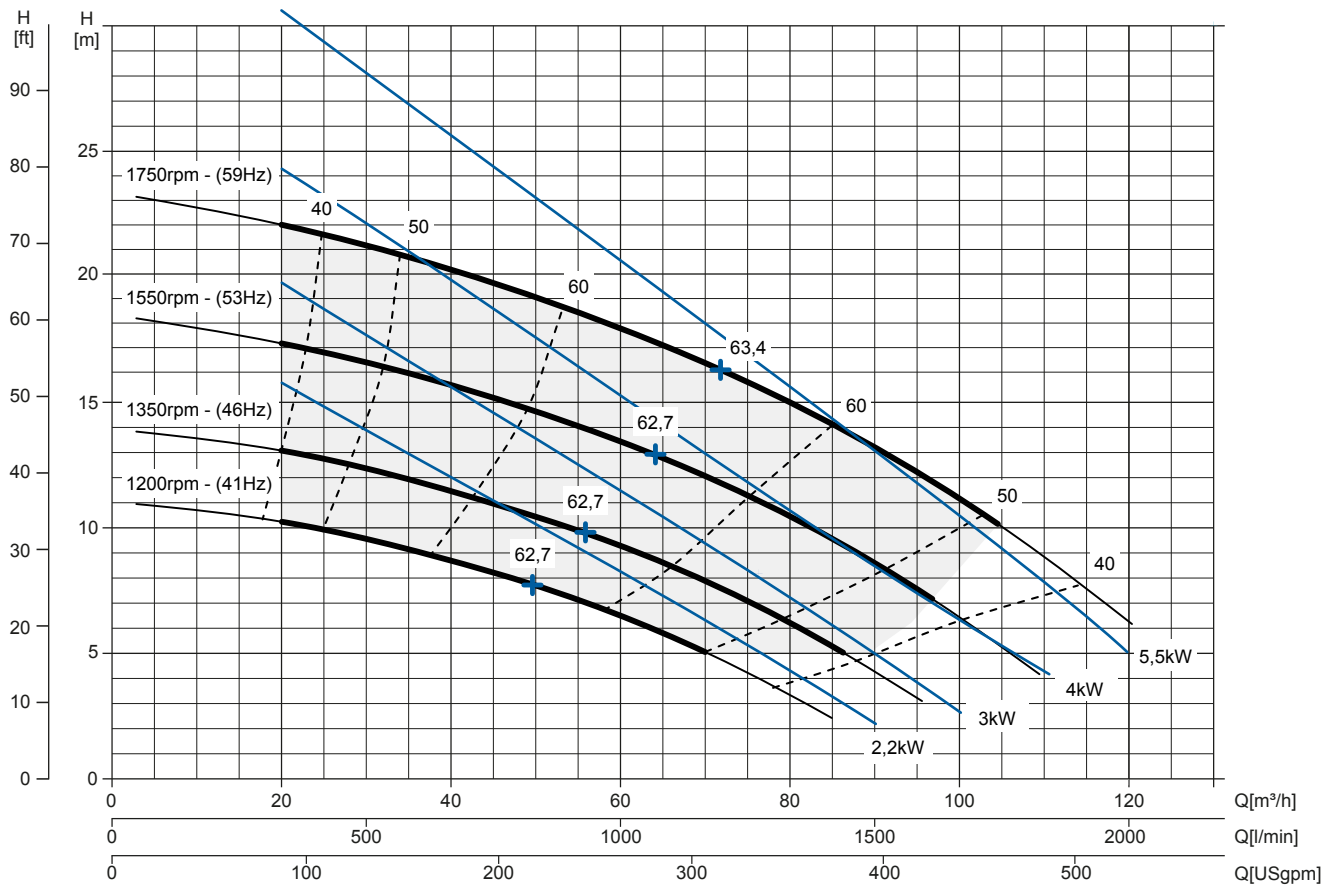
Priming time 3.450 rpm: **26s from 1,5 m (5 ft)**
 Installed power: **7,5 kW - 10 HP (1750 rpm)**

Noise curve

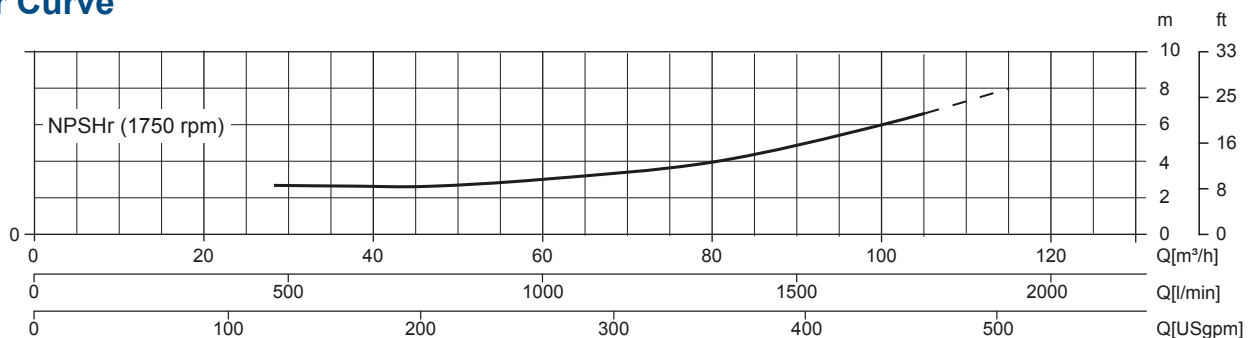
dB(A)=max noise level at 1 m



Multiple speed curve



NPSHr Curve



JE 3-210 G20 NT42

TECHNICAL DATA

Pump

Pump model	J 3-210 G20
Qmax [1,750 rpm]	105 m ³ /h - 1750 l/min (462 USgpm)
Hmax [1,750 rpm]	23 m (75 ft)
Suction port	Threaded - 3" ISO 228 (BSP)
Delivery port	Threaded - 3" ISO 228 (BSP)
Impeller type	Semi-open, 3 vanes
Solids handling	40 mm (1,5 ")
Casing	cast iron EN 1561 EN-GJL-200
Impeller	cast iron EN 1563 EN-GJS-500
Wear plate	cast iron EN 1561 EN-GJL-200
Non-return valve	Check-valve, PTFE
Shaft	Steel C45E EN 10083-2
Mechanical seal	Tungsten carbide / Silicon carbide
Elastomers	PTFE
Lubrication	Grease

Motor

Mains supply (Three-phase)	380 VD/660 VY ± 5%	400 VD/690 VY ± 10%	415 VD ± 5%	460 VD/800 VY ± 10%	480 VD/830 VY ± 5%
Frequency (Nominal speed)	50 Hz ± 3% / 2.900 rpm			60 Hz ± 3% / 3.450 rpm	
Absorbed current	14,7/8,44 A	14,2/8,25 A	13,9/8,02 A	12,4/7,11 A	12,3/7,11 A
Starting Current Is/In	8.3	8.3	8.3	9.5	9.5
Efficiency (100%)	90,4% (IE3)	90,6% (IE3)	90,4% (IE3)	91,7% (IE3)	91,7% (IE3)
Model	WEG W22 Premium				
Standards	IEC 60034-1				
Construction	cast iron, TEFC				
Mounting arrangement	IM 2001 B35				
No. poles	4				
Rated power	7,5 kW - 10 HP				
Degree of protection	IP55				
Markings	CE, UL, CSA, EAC				
Insulation class/Temperature	F/80°K				
Duty type	Continuous - S1 Variable - suitable for inverter use (30-60 Hz)				
Temperature sensors	PTC, available as option				

Arrangement

Model	Close-coupled N
Dimensions	366 x 928 x 490 mm (14 x 36 x 19")
Painting	Polyurethan enamel, average thickness of 100 µm
Color	RAL 5010 blue (standard)
Features	Close-coupled with rigid coupling "N"
Height connection	0,3 m (12")

Options

Flanged ports DN80 PN16 EN1092-2 Type B	cod. 10042784
Flanged ports 3" ANSI B16.1 Class 125 R.F.	cod. 10042819
Automatic mechanical seal greaser	cod. 10008316
Integrated VSD motor inverter	Available by 2021

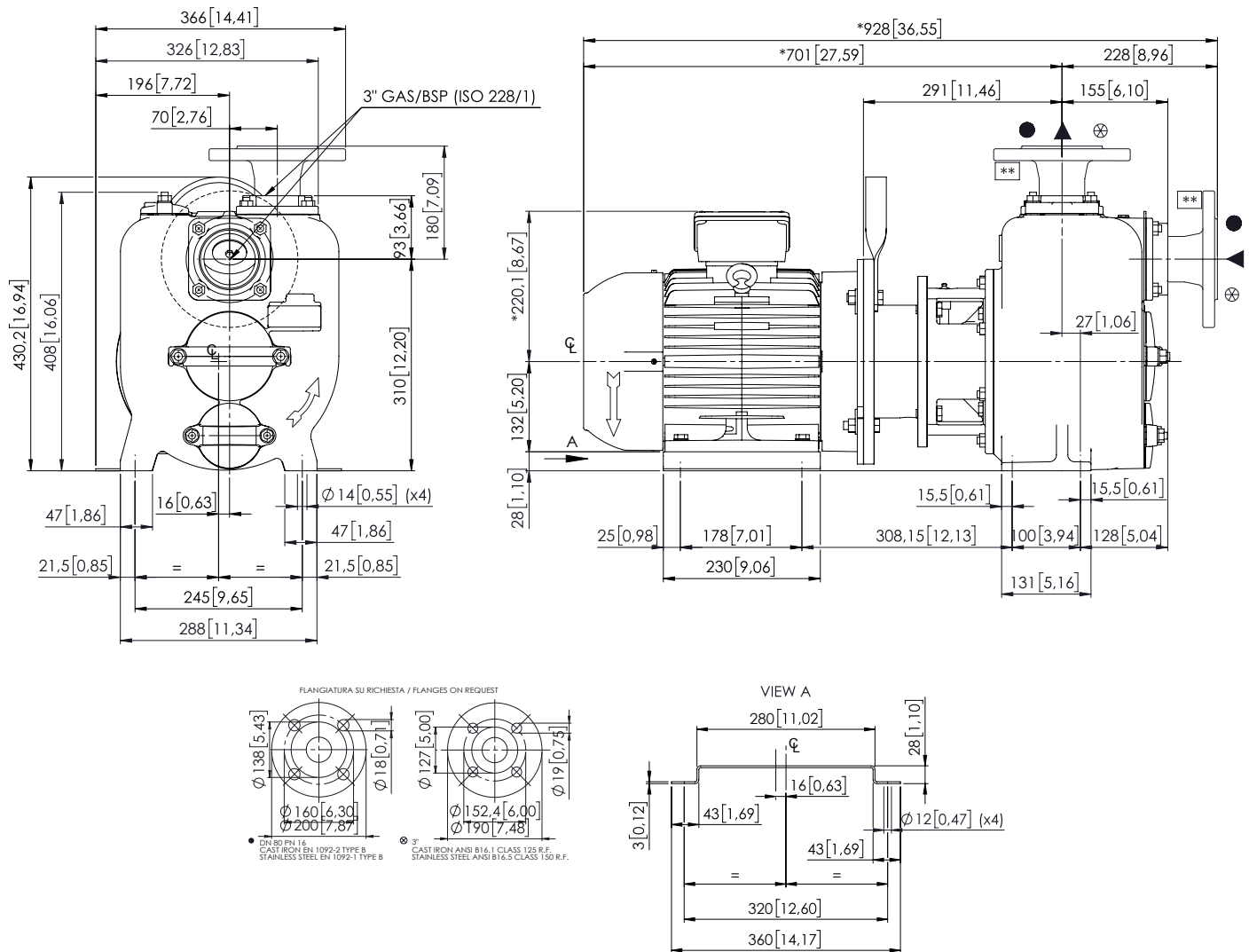
Weight

Net weight	144 kg
------------	--------

JE 3-210 G20 NT42

DIMENSIONS

mm [in]



PACKAGING DIMENSIONS

Dimensions

JE 3-210 G20 NT42 (L x W x H mm)

720 x 270 x 480 + BOX

Gross weight (pump + packing)

154 kg

